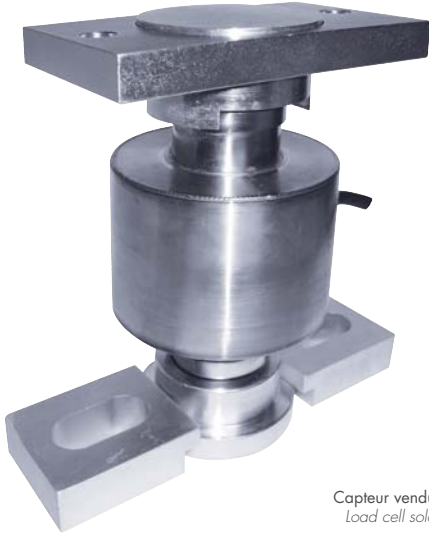


CB50X/CB50X-DL压头
Mounting kit for CB50X/CB50X-DL - Cups & plates kit

LPM/LPM-X

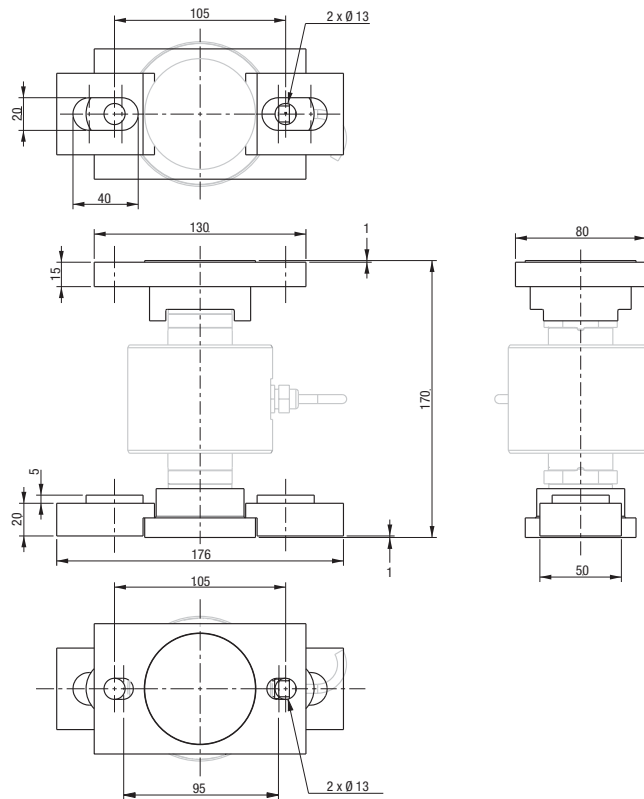
5 t ... 60 t



Capteur vendu séparément
Load cell sold separately

- LPM : 碳钢镀锌材质
- LPM-X : 不锈钢材质
- 集成防转动设计
- 应配合STABICAN一起使用
- 兼容CA40X, C15A或者C30A压头
- 提醒：使用之前，请参考我们的安装指引 (NT-WEIGHBRIDGE-FE)

- LPM: made of zinc plated steel
- LPM-X: made of stainless steel
- Integrated anti-rotating system
- To be used with STABICAN kit
- Compatible with CA40X, C15A or C30A base and upper plates
- WARNING: Before all use, please consult our Technical Note concerning mounting instructions (NT-WEIGHBRIDGE-FE)



Toutes dimensions en mm. Dimensions et spécifications non contractuelles. Dessins techniques disponibles sur demande.
All dimensions in mm. Dimensions and specifications do not constitute any liability whatsoever. Technical drawings are available on request.

scaime

Siège Social - Headquarter : Technosite Altéa - 294, Rue Georges Charpak - F.74100 JUVIGNY
SCAIME SAS - 294, RUE GEORGES CHARPAK - CS 50501 - 74105 ANNEMASSE CEDEX
Tél. : +33 (0)4 50 87 78 64 - Fax : +33 (0)4 50 87 78 46 - info@scaime.com - www.scaime.com
Téléchargez tous nos documents sur notre site internet - Download all our documents on our website

上海雅鑫比国际贸易有限公司

电话：021-64161126

邮件：support@yaxinbi.com

网址：www.yaxinbi.com

地址：上海市武宁路423号1号楼612室